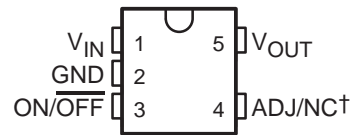


# LP2981 100-mA ULTRA-LOW DROPOUT REGULATOR WITH SHUTDOWN

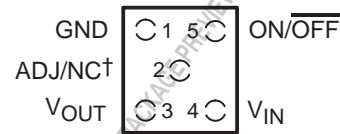
SLVS521B – JULY 2004 – REVISED OCTOBER 2004

- Available in the Texas Instruments NanoStar™ Chip Scale Package
- Fixed/ADJ Versions
- Output Tolerance of:
  - 0.75% (A Grade)
  - 1.25% (Standard Grade)
- Ultra-Low Dropout, Typically
  - 200 mV at Full Load of 100 mA
  - 7 mV at 1 mA
- Wide  $V_{IN}$  Range . . . 16 V Max
- Low  $I_Q$  . . . 600  $\mu$ A Typ at Full Load of 100 mA
- Shutdown Current . . . 0.01  $\mu$ A Typ
- Fast Transient Response to Line and Load
- Overcurrent and Thermal Protection
- High Peak Current Capability
- Portable Applications
  - Mobile Phones
  - Laptops
  - Personal Digital Assistants (PDAs)
  - Digital Cameras and Camcorders
  - CD and MP3 Players

DBV (SOT-23) PACKAGE  
(TOP VIEW)



YEQ, YEU, YZQ, OR YZU (WCSP) PACKAGE  
(TOP VIEW)



† Must be left open in fixed-output versions

## description/ordering information

The LP2981 family of fixed-output, low-dropout regulators offers exceptional, cost-effective performance for both portable and nonportable applications. Available in adjustable version and in fixed voltages of 1.8 V, 2.5 V, 2.7 V, 2.8 V, 2.9 V, 3 V, 3.2 V, 3.3 V, 3.6 V, and 5 V, the family has an output tolerance of 0.75% for the A-grade devices (1.25% for the standard grade) and is capable of delivering 100-mA continuous load current. Standard regulator features, such as over-current and over-temperature protection, are included.

The LP2981 has features that make the regulator an ideal candidate for a variety of portable applications:

- Low dropout: A PNP pass element allows a typical dropout of 200 mV at 100-mA load current and 7 mV at 1-mA load.
- Low quiescent current: The use of a vertical PNP process allows for quiescent currents that are considerably lower than those associated with traditional lateral PNP regulators.
- Shutdown: A shutdown feature is available, allowing the regulator to consume only 0.01  $\mu$ A when the ON/OFF pin is pulled low.
- Small packaging: For the most space-constraint needs, the regulator is available in SOT-23 package and NanoStar™ chip scale packaging. NanoStar package technology is a major breakthrough in IC packaging concepts, using the die as the package.



Please be aware that an important notice concerning availability, standard warranty, and use in critical applications of Texas Instruments semiconductor products and disclaimers thereto appears at the end of this data sheet.

NanoStar is a trademark of Texas Instruments.

PRODUCTION DATA information is current as of publication date. Products conform to specifications per the terms of Texas Instruments standard warranty. Production processing does not necessarily include testing of all parameters.



POST OFFICE BOX 655303 • DALLAS, TEXAS 75265

Copyright © 2004, Texas Instruments Incorporated

**LP2981**  
**100-mA ULTRA-LOW DROPOUT REGULATOR**  
**WITH SHUTDOWN**

SLVS521B – JULY 2004 – REVISED OCTOBER 2004

**description/ordering information (continued)**

**ORDERING INFORMATION**

T <sub>J</sub>	PART GRADE	V <sub>OUT</sub> (NOM)	PACKAGE†	ORDERABLE PART NUMBER	TOP-SIDE MARKING‡	
-40°C to 125°C	A grade: 0.75% tolerance	ADJ	SOT23-5 (DBV)	Reel of 3000	LP2981DBVR	PREVIEW
				Reel of 250	LP2981DBVT	
		1.25 V		Reel of 3000	LP2981A-125DBVR	PREVIEW
				Reel of 250	LP2981A-125DBVT	
		1.8 V		Reel of 3000	LP2981A-18DBVR	PREVIEW
				Reel of 250	LP2981A-18DBVT	
		2.5 V		Reel of 3000	LP2981A-25DBVR	PREVIEW
				Reel of 250	LP2981A-25DBVT	
		2.7 V		Reel of 3000	LP2981A-27DBVR	PREVIEW
				Reel of 250	LP2981A-27DBVT	
		2.8 V		Reel of 3000	LP2981A-28DBVR	LP6_
				Reel of 250	LP2981A-28DBVT	
		2.9 V		Reel of 3000	LP2981A-29DBVR	PREVIEW
				Reel of 250	LP2981A-29DBVT	
		3 V		Reel of 3000	LP2981A-30DBVR	LP8_
				Reel of 250	LP2981A-30DBVT	
		3.2 V		Reel of 3000	LP2981A-32DBVR	PREVIEW
				Reel of 250	LP2981A-32DBVT	
		3.3 V		Reel of 3000	LP2981A-33DBVR	LPC_
				Reel of 250	LP2981A-33DBVT	
3.6 V	Reel of 3000	LP2981A-36DBVR	PREVIEW			
	Reel of 250	LP2981A-36DBVT				
5 V	Reel of 3000	LP2981A-50DBVR	PREVIEW			
	Reel of 250	LP2981A-50DBVT				

† Package drawings, standard packing quantities, thermal data, symbolization, and PCB design guidelines are available at [www.ti.com/sc/package](http://www.ti.com/sc/package).

‡ DBV: The actual top-side marking has one additional character that designates the assembly/test site.



# LP2981

## 100-mA ULTRA-LOW DROPOUT REGULATOR WITH SHUTDOWN

SLVS521B – JULY 2004 – REVISED OCTOBER 2004

### ORDERING INFORMATION (continued)

T <sub>J</sub>	PART GRADE	V <sub>OUT</sub> (NOM)	PACKAGE†	ORDERABLE PART NUMBER	TOP-SIDE MARKING‡			
-40°C to 125°C	A grade: 0.75% tolerance	ADJ	NanoStar™ – WCSP 0.17-mm Bump (YEQ)	Reel of 3000	LP2981YEQR	PREVIEW		
		1.25 V			LP2981A-125YEQR			
		1.8 V			LP2981A-18YEQR			
		2.5 V			LP2981A-25YEQR			
		2.7 V			LP2981A-27YEQR			
		2.8 V			LP2981A-28YEQR			
		2.9 V			LP2981A-29YEQR			
		3 V			LP2981A-30YEQR			
		3.2 V			LP2981A-32YEQR			
		3.3 V			LP2981A-33YEQR			
		5 V			LP2981A-50YEQR			
		ADJ			NanoFree™ – WCSP 0.17-mm Bump (YZQ, Pb-free)		Reel of 3000	LP2981YZQR
		1.25 V						LP2981A-125YZQR
		1.8 V	LP2981A-18YZQR					
		2.5 V	LP2981A-25YZQR					
		2.7 V	LP2981A-27YZQR					
		2.8 V	LP2981A-28YZQR					
		2.9 V	LP2981A-29YZQR					
		3 V	LP2981A-30YZQR					
		3.2 V	LP2981A-32YZQR					
		3.3 V	LP2981A-33YZQR					
		5 V	LP2981A-50YZQR					

† Package drawings, standard packing quantities, thermal data, symbolization, and PCB design guidelines are available at [www.ti.com/sc/package](http://www.ti.com/sc/package).

‡ YEQ/YZQ: The actual top-side marking has three preceding characters to denote year, month, and sequence code, and one following character to designate the assembly/test site. Pin 1 identifier indicates solder-bump composition (1 = SnPb, ● = Pb-free).



**LP2981**  
**100-mA ULTRA-LOW DROPOUT REGULATOR**  
**WITH SHUTDOWN**

SLVS521B – JULY 2004 – REVISED OCTOBER 2004

**ORDERING INFORMATION (continued)**

T <sub>J</sub>	PART GRADE	V <sub>OUT</sub> (NOM)	PACKAGE†	ORDERABLE PART NUMBER	TOP-SIDE MARKING‡		
-40°C to 125°C	A grade: 0.75% tolerance	ADJ	NanoStar™ – WCSP 0.30-mm Bump (YEU)	Reel of 3000	LP2981YEUR		
		1.25 V			LP2981A-125YEUR		
		1.8 V			LP2981A-18YEUR		
		2.5 V			LP2981A-25YEUR		
		2.7 V			LP2981A-27YEUR		
		2.8 V			LP2981A-28YEUR		
		2.9 V			LP2981A-29YEUR		
		3 V			LP2981A-30YEUR		
		3.2 V			LP2981A-32YEUR		
		3.3 V			LP2981A-33YEUR		
		5 V			LP2981A-50YEUR		
		ADJ			NanoFree™ – WCSP 0.30-mm Bump (YZU, Pb-free)	Reel of 3000	LP2981YZUR
		1.25 V					LP2981A-125YZUR
		1.8 V					LP2981A-18YZUR
		2.5 V	LP2981A-25YZUR				
		2.7 V	LP2981A-27YZUR				
		2.8 V	LP2981A-28YZUR				
		2.9 V	LP2981A-29YZUR				
		3 V	LP2981A-30YZUR				
		3.2 V	LP2981A-32YZUR				
		3.3 V	LP2981A-33YZUR				
		5 V	LP2981A-50YZUR				

† Package drawings, standard packing quantities, thermal data, symbolization, and PCB design guidelines are available at [www.ti.com/sc/package](http://www.ti.com/sc/package).

‡ YEU/YZU: The actual top-side marking has three preceding characters to denote year, month, and sequence code, and one following character to designate the assembly/test site. Pin 1 identifier indicates solder-bump composition (1 = SnPb, ● = Pb-free).



# LP2981 100-mA ULTRA-LOW DROPOUT REGULATOR WITH SHUTDOWN

SLVS521B – JULY 2004 – REVISED OCTOBER 2004

## ORDERING INFORMATION (continued)

T <sub>J</sub>	PART GRADE	V <sub>OUT</sub> (NOM)	PACKAGE†	ORDERABLE PART NUMBER	TOP-SIDE MARKING‡	
-40°C to 125°C	Standard grade: 1.25% tolerance	ADJ	SOT-23 (DBV)	Reel of 3000	LP2981DBVR	PREVIEW
				Reel of 250	LP2981DBVT	
		1.25 V		Reel of 3000	LP2981-125DBVR	PREVIEW
				Reel of 250	LP2981-125DBVT	
		1.8 V		Reel of 3000	LP2981-18DBVR	PREVIEW
				Reel of 250	LP2981-18DBVT	
		2.5 V		Reel of 3000	LP2981-25DBVR	PREVIEW
				Reel of 250	LP2981-25DBVT	
		2.7 V		Reel of 3000	LP2981-27DBVR	PREVIEW
				Reel of 250	LP2981-27DBVT	
		2.8 V		Reel of 3000	LP2981-28DBVR	LP5_
				Reel of 250	LP2981-28DBVT	
		2.9 V		Reel of 3000	LP2981-29DBVR	PREVIEW
				Reel of 250	LP2981-29DBVT	
		3 V		Reel of 3000	LP2981-30DBVR	LP7_
				Reel of 250	LP2981-30DBVT	
		3.2 V		Reel of 3000	LP2981-32DBVR	PREVIEW
				Reel of 250	LP2981-32DBVT	
		3.3 V		Reel of 3000	LP2981-33DBVR	LPB_
				Reel of 250	LP2981-33DBVT	
3.6 V	Reel of 3000	LP2981-36DBVR	PREVIEW			
	Reel of 250	LP2981-36DBVT				
5 V	Reel of 3000	LP2981-50DBVR	PREVIEW			
	Reel of 250	LP2981-50DBVT				

† Package drawings, standard packing quantities, thermal data, symbolization, and PCB design guidelines are available at [www.ti.com/sc/package](http://www.ti.com/sc/package).

‡ DBV: The actual top-side marking has one additional character that designates the assembly/test site.



**LP2981**  
**100-mA ULTRA-LOW DROPOUT REGULATOR**  
**WITH SHUTDOWN**

SLVS521B – JULY 2004 – REVISED OCTOBER 2004

**ORDERING INFORMATION (continued)**

T <sub>J</sub>	PART GRADE	V <sub>OUT</sub> (NOM)	PACKAGE†	ORDERABLE PART NUMBER	TOP-SIDE MARKING‡			
-40°C to 125°C	Standard grade: 1.25% tolerance	ADJ	NanoStar™ – WCSP 0.17-mm Bump (YEQ)	Reel of 3000	LP2981YEQR	PREVIEW		
		1.25 V			LP2981-125YEQR			
		1.8 V			LP2981-18YEQR			
		2.5 V			LP2981-25YEQR			
		2.7 V			LP2981-27YEQR			
		2.8 V			LP2981-28YEQR			
		2.8 V			LP2981-29YEQR			
		3 V			LP2981-30YEQR			
		3.2 V			LP2981-32YEQR			
		3.3 V			LP2981-33YEQR			
		5 V			LP2981-50YEQR			
		ADJ			NanoFree™ – WCSP 0.17-mm Bump (YZQ, Pb-free)		Reel of 3000	LP2981YZQR
		1.25 V						LP2981-125YZQR
		1.8 V						LP2981-18YZQR
		2.5 V	LP2981-25YZQR					
		2.7 V	LP2981-27YZQR					
		2.8 V	LP2981-28YZQR					
		2.8 V	LP2981-29YZQR					
		3 V	LP2981-30YZQR					
		3.2 V	LP2981-32YZQR					
		3.3 V	LP2981-33YZQR					
		5 V	LP2981-50YZQR					

† Package drawings, standard packing quantities, thermal data, symbolization, and PCB design guidelines are available at [www.ti.com/sc/package](http://www.ti.com/sc/package).

‡ YEQ/YZQ: The actual top-side marking has three preceding characters to denote year, month, and sequence code, and one following character to designate the assembly/test site. Pin 1 identifier indicates solder-bump composition (1 = SnPb, ● = Pb-free).

# LP2981 100-mA ULTRA-LOW DROPOUT REGULATOR WITH SHUTDOWN

SLVS521B – JULY 2004 – REVISED OCTOBER 2004

## ORDERING INFORMATION (continued)

T <sub>J</sub>	PART GRADE	V <sub>OUT</sub> (NOM)	PACKAGE†	ORDERABLE PART NUMBER	TOP-SIDE MARKING‡			
-40°C to 125°C	Standard grade: 1.25% tolerance	ADJ	NanoStar™ – WCSP 0.30-mm Bump (YEU)	Reel of 3000	LP2981YEUR	PART NUMBER		
		1.25 V			LP2981-125YEUR			
		1.8 V			LP2981-18YEUR			
		2.5 V			LP2981-25YEUR			
		2.7 V			LP2981-27YEUR			
		2.8 V			LP2981-28YEUR			
		2.8 V			LP2981-29YEUR			
		3 V			LP2981-30YEUR			
		3.2 V			LP2981-32YEUR			
		3.3 V			LP2981-33YEUR			
		5 V			LP2981-50YEUR			
		ADJ			NanoFree™ – WCSP 0.30-mm Bump (YZU, Pb-free)		Reel of 3000	LP2981YZUR
		1.25 V						LP2981-125YZUR
		1.8 V	LP2981-18YZUR					
		2.5 V	LP2981-25YZUR					
		2.7 V	LP2981-27YZUR					
		2.8 V	LP2981-28YZUR					
		2.8 V	LP2981-29YZUR					
		3 V	LP2981-30YZUR					
		3.2 V	LP2981-32YZUR					
		3.3 V	LP2981-33YZUR					
		5 V	LP2981-50YZUR					

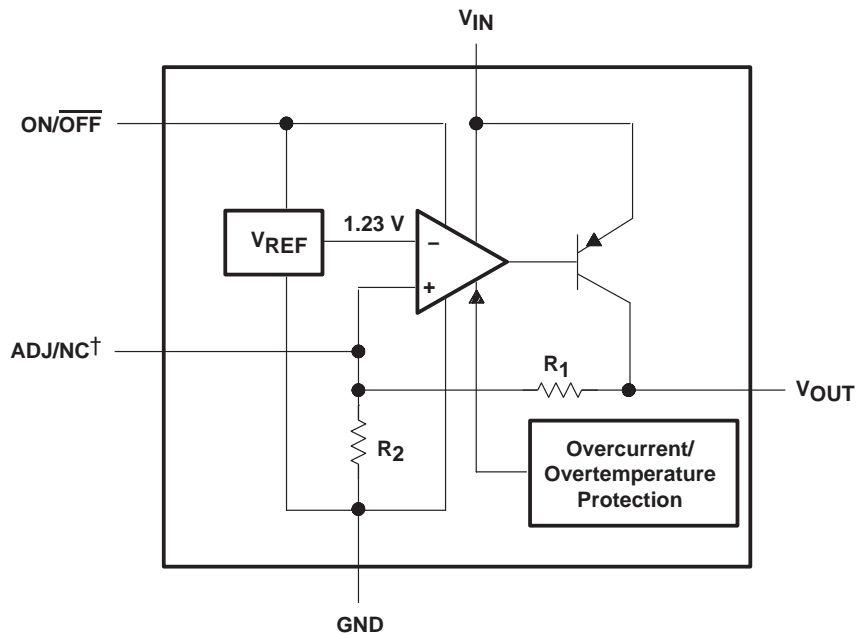
† Package drawings, standard packing quantities, thermal data, symbolization, and PCB design guidelines are available at [www.ti.com/sc/package](http://www.ti.com/sc/package).

‡ YEU/YZU: The actual top-side marking has three preceding characters to denote year, month, and sequence code, and one following character to designate the assembly/test site. Pin 1 identifier indicates solder-bump composition (1 = SnPb, ● = Pb-free).

# LP2981 100-mA ULTRA-LOW DROPOUT REGULATOR WITH SHUTDOWN

SLVS521B – JULY 2004 – REVISED OCTOBER 2004

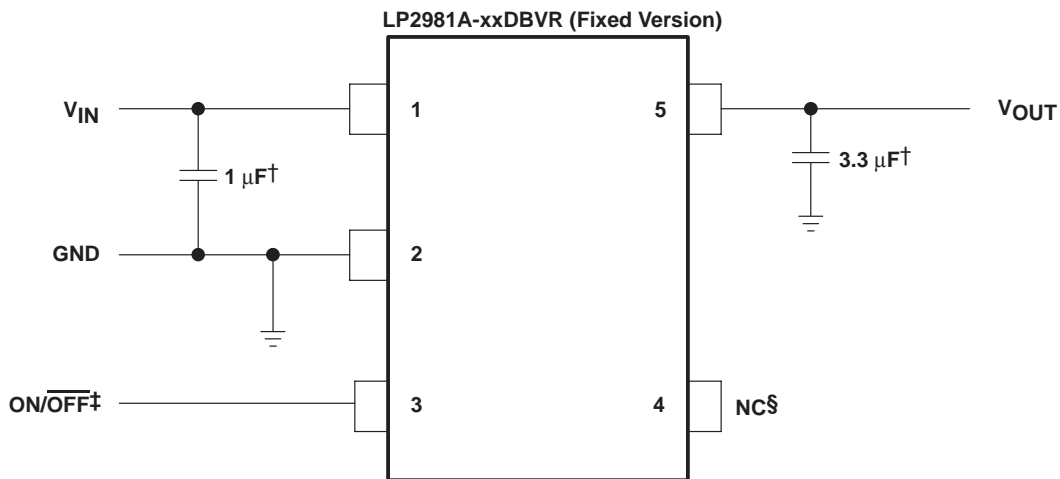
## functional block diagram



† Fixed versions: Must be left open  
ADJ versions:  $R_1 = \infty$ ,  $R_2 = \infty$

Figure 1

## basic application circuit



† Minimum  $C_{out}$  value for stability (can be increased without limit for improved stability and transient response)

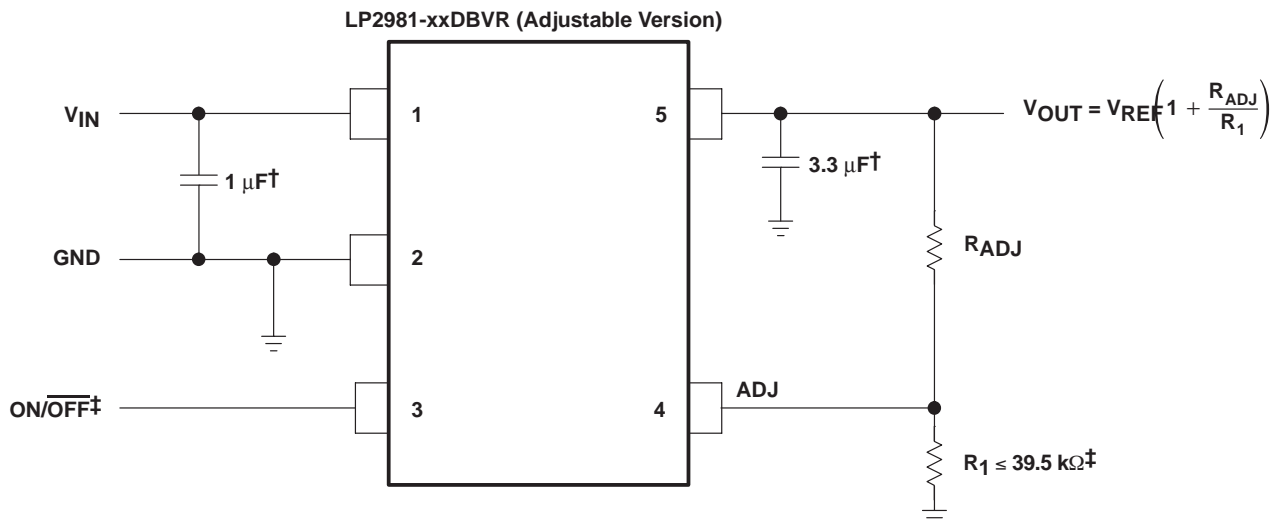
‡  $ON/OFF$  must be actively terminated. Connect to  $V_{IN}$  if shutdown feature is not used.

§ Must be left open

Figure 2



**basic application circuit (continued)**



† Minimum  $C_{OUT}$  value for stability (can be increased without limit for improved stability and transient response)  
 ‡ See Application Information

**Figure 3**

**absolute maximum ratings over the virtual junction temperature range (unless otherwise noted)†**

Continuous input voltage range, $V_{IN}$ .....	-0.3 V to 16 V
ON/OFF input voltage range, $V_{ON/OFF}$ .....	-0.3 V to 16 V
Output voltage range (see Note 1) .....	-0.3 V to 9 V
Input/output voltage differential range, $V_{IN}-V_{OUT}$ (see Note 2) .....	-0.3 V to 16 V
Output current, $I_{OUT}$ (see Note 3) .....	Internally limited (short-circuit protected)
Package thermal impedance, $\theta_{JA}$ (see Notes 3 and 4): DBV package .....	206°C/W
YEQ/YZQ package .....	TBD°C/W
YEU/YZU package .....	TBD°C/W
Operating virtual junction temperature, $T_J$ .....	150°C
Storage temperature range, $T_{stg}$ .....	-65°C to 150°C

† Stresses beyond those listed under “absolute maximum ratings” may cause permanent damage to the device. These are stress ratings only, and functional operation of the device at these or any other conditions beyond those indicated under “recommended operating conditions” is not implied. Exposure to absolute-maximum-rated conditions for extended periods may affect device reliability.

- NOTES:
1. If load is returned to a negative power supply, the output must be diode clamped to GND.
  2. The PNP pass transistor has a parasitic diode connected between the input and output. This diode normally is reverse biased ( $V_{IN} > V_{OUT}$ ), but will be forward biased if the output voltage exceeds the input voltage by a diode drop (see Application Information for more details).
  3. Maximum power dissipation is a function of  $T_J(\max)$ ,  $\theta_{JA}$ , and  $T_A$ . The maximum allowable power dissipation at any allowable ambient temperature is  $P_D = (T_J(\max) - T_A) / \theta_{JA}$ . Operating at the absolute maximum  $T_J$  of 150°C can affect reliability.
  4. The package thermal impedance is calculated in accordance with JESD 51-7.

# LP2981

## 100-mA ULTRA-LOW DROPOUT REGULATOR WITH SHUTDOWN

SLVS521B – JULY 2004 – REVISED OCTOBER 2004

### recommended operating conditions

		MIN	MAX	UNIT
$V_{IN}$	Supply input voltage	2.2†	16	V
$V_{ON/OFF}$	ON/OFF input voltage	0	$V_{IN}$	V
$V_{IN}-V_{OUT}$	Input-output differential	0.7	11	V
$I_{OUT}$	Output current		100	mA
$T_J$	Virtual junction temperature	-40	125	°C

† Minimum  $V_{IN}$  of 2.2 V is needed for proper biasing of LDO control circuitry.

**electrical characteristics at specified free-air temperature range,  $V_{IN} = V_{OUT(NOM)} + 1$  V,  $V_{ON/OFF} = 2$  V,  $C_{IN} = 1$   $\mu$ F,  $I_L = 1$  mA,  $C_{OUT} = 4.7$   $\mu$ F, ADJ version: ADJ connected to  $V_{OUT}$  (unless otherwise noted)**

PARAMETER	TEST CONDITIONS	$T_A$	LP2981A-XX			LP2981-XX			UNIT
			MIN	TYP	MAX	MIN	TYP	MAX	
$\Delta V_{OUT}$	Output voltage tolerance (see Note 5)	$I_L = 1$ mA	25°C	-0.75	0.75	-1.25	1.25	% $V_{NOM}$	
		$I_L = 1$ mA to 100 mA	25°C	-1	1	-2	2		
			-40°C to 125°C	-2.5	2.5	-3.5	3.5		
$\Delta V_{OUT}/\Delta V_{IN}$	Output voltage line regulation	$V_{IN} = [V_{OUT(NOM)} + 1$ V] to 16 V	25°C	0.007	0.014	0.007	0.014	%V	
		-40°C to 125°C		0.032		0.032			
$V_{IN}-V_{OUT}$	Dropout voltage (see Note 6)	$I_L = 0$	25°C	1	3	1	3	mV	
			-40°C to 125°C		5		5		
		$I_L = 1$ mA	25°C	7	10	7	10		
			-40°C to 125°C		15		15		
		$I_L = 25$ mA	25°C	70	100	70	100		
			-40°C to 125°C		150		150		
$I_L = 100$ mA	25°C	200	250	200	250				
	-40°C to 125°C		375		375				
$I_{GND}$	Ground pin current	$I_L = 0$	25°C	65	95	65	95	$\mu$ A	
			-40°C to 125°C		125		125		
		$I_L = 1$ mA	25°C	80	110	80	110		
			-40°C to 125°C		170		170		
		$I_L = 25$ mA	25°C	200	300	200	300		
			-40°C to 125°C		550		550		
		$I_L = 100$ mA	25°C	600	800	600	800		
			-40°C to 125°C		1500		1500		
$V_{ON/OFF}$	ON/OFF input voltage (see Note 7)	High = O/P ON	25°C	1.4		1.4	V		
			-40°C to 125°C	1.6		1.6			
		Low = O/P OFF	25°C	0.5		0.5			
			-40°C to 125°C		0.15			0.15	

- NOTES: 5.  $V_{OUT} = V_{REF}$  for ADJ version  
6. Dropout voltage is defined as the input-to-output differential at which the output voltage drops 100 mV below the value measured with a 1-V differential. This dropout specification does not apply to the 1.8-V option, as the minimum  $V_{IN} = 2.2$  V must be observed for proper biasing of LDO control circuitry.  
7. The ON/OFF input must be actively terminated. Connect to  $V_{IN}$  if this function is not used (see Application Information).



**LP2981**  
**100-mA ULTRA-LOW DROPOUT REGULATOR**  
**WITH SHUTDOWN**

SLVS521B – JULY 2004 – REVISED OCTOBER 2004

electrical characteristics at specified free-air temperature range,  $V_{IN} = V_{OUT(NOM)} + 1\text{ V}$ ,  $V_{ON/OFF} = 2\text{ V}$ ,  $C_{IN} = 1\text{ }\mu\text{F}$ ,  $I_L = 1\text{ mA}$ ,  $C_{OUT} = 4.7\text{ }\mu\text{F}$ , ADJ version: ADJ connected to  $V_{OUT}$  (unless otherwise noted) (continued)

PARAMETER	TEST CONDITIONS	$T_A$	LP2981A-XX			LP2981-XX			UNIT
			MIN	TYP	MAX	MIN	TYP	MAX	
$I_{ON/OFF}$	ON/OFF input current	$V_{ON/OFF} = 0$	25°C	0.01		0.01		$\mu\text{A}$	
			-40°C to 125°C	-1		-1			
	$V_{ON/OFF} = 5\text{ V}$	25°C	5		5				
		-40°C to 125°C	15		15				
$I_{OUT(PK)}$	Peak output current	$V_{OUT} \geq V_{OUT(NOM)} - 5\%$	25°C	150	400		150	400	mA
$V_n$	Output noise voltage (RMS)	BW = 300 Hz to 50 kHz, $C_{OUT} = 10\text{ }\mu\text{F}$	25°C	160		160		$\mu\text{V}$	
$\Delta V_{OUT}/\Delta V_{IN}$	Ripple rejection	$f = 1\text{ kHz}$ , $C_{OUT} = 10\text{ }\mu\text{F}$	25°C	63		63		dB	
$I_{OUT(MAX)}$	Short-circuit current	$R_L = 0$ (steady state)	25°C	150		150		mA	

# LP2981 100-mA ULTRA-LOW DROPOUT REGULATOR WITH SHUTDOWN

SLVS521B – JULY 2004 – REVISED OCTOBER 2004

## APPLICATION INFORMATION

### capacitors

#### input capacitor ( $C_{in}$ )

A minimum value of 1  $\mu\text{F}$  (over the entire operating temperature range) is required at the input of the LP2981. In addition, this input capacitor should be located within 1 cm of the input pin and connected to a clean analog ground. There is no Equivalent Series Resistance (ESR) requirement for this capacitor, and the capacitance can be increased without limit. A good quality ceramic or tantalum capacitor can be used.

#### output capacitor ( $C_{out}$ )

As a PNP regulator, the LP2981 requires the output capacitor to meet both a minimum capacitance and ESR value. Required ESR values as a function of load current are provided for various output voltages, load currents, and capacitances (see Figures 1–4).

Minimum  $C_{out}$ : 3.3  $\mu\text{F}$  (can be increased without limit to improve transient response stability margin)

ESR range: see Figures 1–4

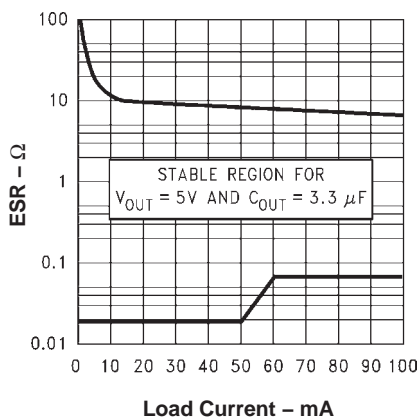


Figure 4. 5-V/3.3- $\mu\text{F}$  ESR Curves

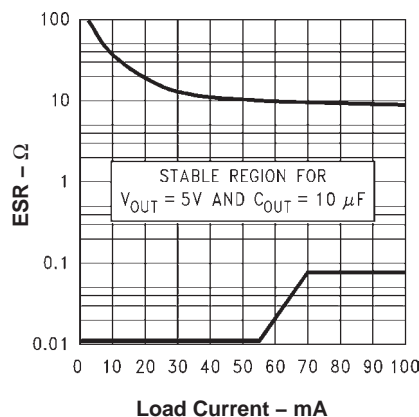


Figure 5. 5-V/10- $\mu\text{F}$  ESR Curves

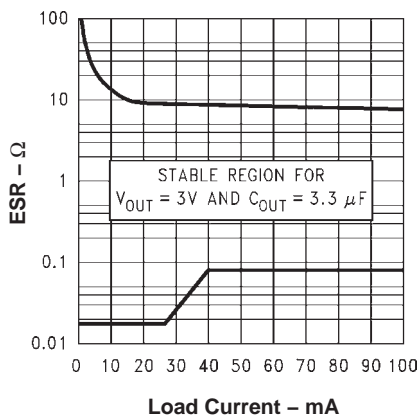


Figure 6. 3-V/3.3- $\mu\text{F}$  ESR Curves

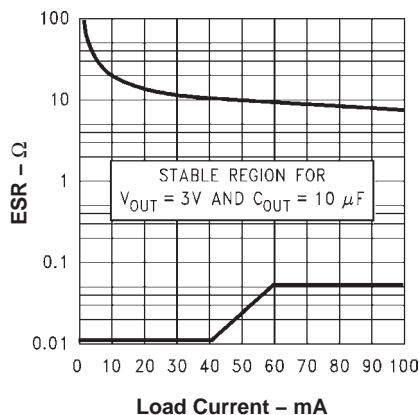


Figure 7. 3-V/10- $\mu\text{F}$  ESR Curves

## APPLICATION INFORMATION

### output capacitor ( $C_{out}$ ) (continued)

It is critical that both the minimum capacitance and ESR requirement be met over the entire operating temperature range. Depending on the type of capacitor used, both of these parameters can vary significantly with temperature (see capacitor characteristics section).

### capacitor characteristics

#### ceramics

Due to their very low ESR values, ceramic capacitors are not suitable for use as the output capacitor. For instance, a typical 2.2- $\mu$ F ceramic capacitor has an ESR in the range of 10 m $\Omega$  to 20 m $\Omega$  and, thus, easily can fall out of minimum ESR requirements under certain operating conditions.

If a ceramic capacitor is used at the output, a 1- $\Omega$  resistor should be placed in series with the capacitor to raise the ESR seen by the regulator.

#### tantalum

Solid tantalum capacitors are optimal choices for the LP2981, but they still must meet the minimum ESR requirement. Note that the ESR of a tantalum capacitor increases as temperature drops, as much as double from 25°C to –40°C. Thus, ESR margins must be maintained over the temperature range to prevent regulator instability. For operation at very low temperatures, paralleling a tantalum capacitor with a ceramic one keeps the combined ESR from increasing near the upper limit of the ESR curve.

#### aluminum

Aluminum capacitors can be used, but use with the LP2981 is impractical due to their large physical dimensions. They also must meet the ESR requirements over the full temperature range. In this regard, aluminium capacitors are at a big disadvantage due to their sharp ESR increase as temperature drops. For example, over a temperature drop from 20°C to –40°C, the ESR of an aluminum electrolytic capacitor can increase by a factor of 50. In addition, some of the electrolytes used in these capacitors can freeze at –25°C, making the capacitor nonoperational.

### ON/OFF operation

The LP2981 allows for a shutdown mode via the ON/OFF pin. If the shutdown feature is not used, ON/OFF should be connected to the input to ensure that the regulator is on at all times. To drive ON/OFF:

- A LOW ( $\leq 0.3$  V) turns the regulator OFF; a HIGH ( $\geq 1.6$  V) turns it ON.
- Use either a totem-pole output or an open-collector output with a pullup resistor tied to  $V_{IN}$  (or another logic supply). The HIGH signal can exceed  $V_{IN}$ , but must not exceed the absolute maximum ratings of 20 V for the ON/OFF pin.
- Apply a signal with a slew rate of  $\geq 40$  mV/ $\mu$ s. A slow slew rate can cause the shutdown function to operate incorrectly.

### ADJ version

From Figure 3,  $V_{OUT}$  is set according to the following equation:

$$V_{OUT} = V_{REF} \left( 1 + \frac{R_{ADJ}}{R_1} \right)$$

where  $V_{REF} = 1.23$  V (nominal). Under no-load conditions, a minimum “bias” current is required through the  $R_{ADJ}$  and  $R_1$  divider to maintain regulator stability. Therefore, the maximum value for  $R_1$  should be  $\sim 39.5$  k $\Omega$ .

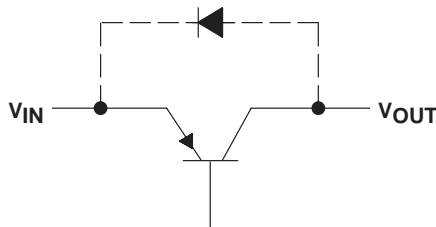
# LP2981 100-mA ULTRA-LOW DROPOUT REGULATOR WITH SHUTDOWN

SLVS521B – JULY 2004 – REVISED OCTOBER 2004

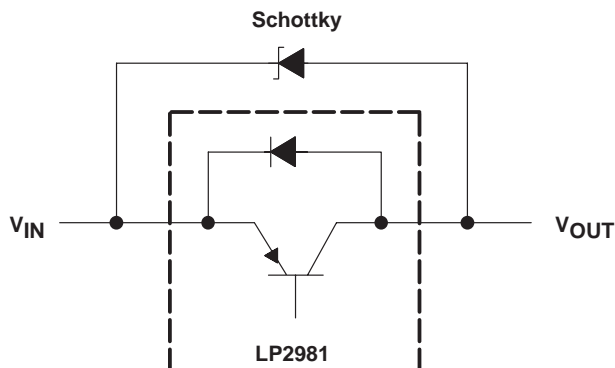
## APPLICATION INFORMATION

### reverse input-output voltage

An inherent diode is present across the PNP pass element of the LP2981.



With the anode connected to the output, this diode is reverse biased during normal operation, since the input voltage is higher than the output. However, if the output is pulled one  $V_{BE}$  higher than the input, or if the input is abruptly stepped below the output, this diode is forward biased and can cause a parasitic silicon-controlled rectifier (SCR) to latch, resulting in current flowing from the output to the input (values in excess of 100 mA can cause damage). Thus, to prevent possible damage to the regulator in any application where the output may be pulled above the input, an external Schottky diode must be connected between the output and input. With the anode on output, this Schottky limits the reverse voltage across the output and input pins to  $\sim 0.3$  V, preventing the regulator's internal diode from forward biasing.



### pin 4: NC

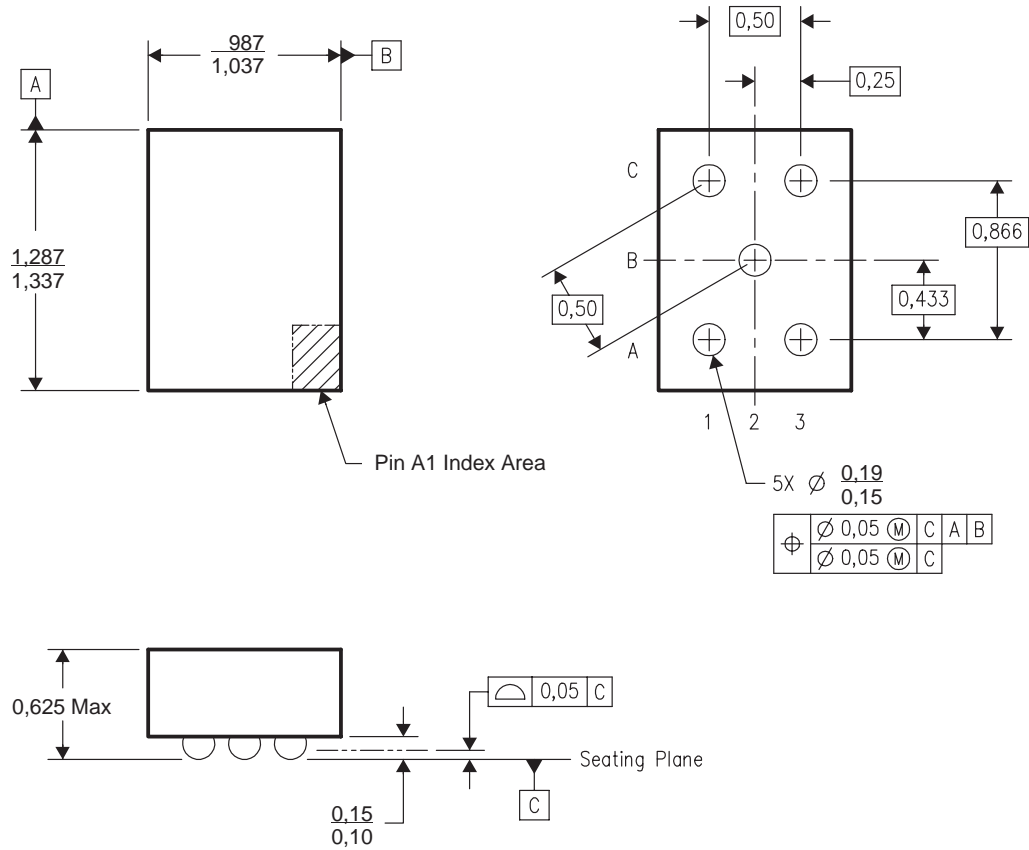
Pin 4 must be left OPEN. Do not connect anything to this pin, as it is used for post package trim.

**LP2981**  
**100-mA ULTRA-LOW DROPOUT REGULATOR**  
**WITH SHUTDOWN**

SLVS521B – JULY 2004 – REVISED OCTOBER 2004

**WAFER CHIP SCALE INFORMATION**

**LP2981x-xxYEQ NanoStar (0.17-mm Bump)**  
**LP2981x-xxYZQ NanoFree (0.17-mm Pb-Free Bump)**



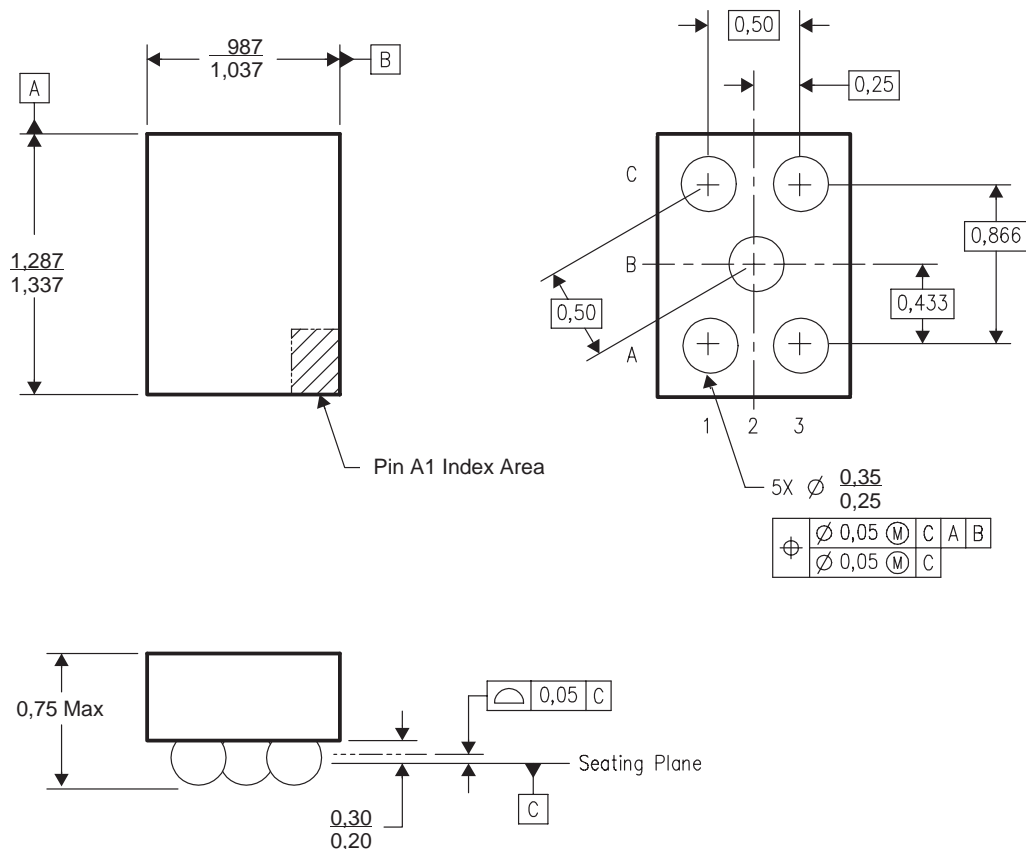
- NOTES: A. All linear dimensions are in millimeters.  
 B. This drawing is subject to change without notice.  
 C. NanoStar package configuration.  
 D. This package is tin-lead (SnPb); consult the factory for availability of lead-free material.

# LP2981 100-mA ULTRA-LOW DROPOUT REGULATOR WITH SHUTDOWN

SLVS521B – JULY 2004 – REVISED OCTOBER 2004

## WAFER CHIP SCALE INFORMATION

LP2981x-xxYEU NanoStar (0.30-mm Bump)  
LP2981x-xxYZU NanoFree (0.30-mm Pb-Free Bump)



- NOTES:
- A. All linear dimensions are in millimeters.
  - B. This drawing is subject to change without notice.
  - C. NanoStar package configuration.
  - D. This package is tin-lead (SnPb); consult the factory for availability of lead-free material.



**PACKAGING INFORMATION**

Orderable Device	Status <sup>(1)</sup>	Package Type	Package Drawing	Pins	Package Qty	Eco Plan <sup>(2)</sup>	Lead/Ball Finish	MSL Peak Temp <sup>(3)</sup>
LP2981-28DBVR	ACTIVE	SOT-23	DBV	5	3000	Green (RoHS & no Sb/Br)	CU NIPDAU	Level-1-260C-UNLIM
LP2981-28DBVRE4	ACTIVE	SOT-23	DBV	5	3000	Green (RoHS & no Sb/Br)	CU NIPDAU	Level-1-260C-UNLIM
LP2981-28DBVT	ACTIVE	SOT-23	DBV	5	250	Green (RoHS & no Sb/Br)	CU NIPDAU	Level-1-260C-UNLIM
LP2981-28DBVTE4	ACTIVE	SOT-23	DBV	5	250	Green (RoHS & no Sb/Br)	CU NIPDAU	Level-1-260C-UNLIM
LP2981-30DBVR	ACTIVE	SOT-23	DBV	5	3000	Green (RoHS & no Sb/Br)	CU NIPDAU	Level-1-260C-UNLIM
LP2981-30DBVRE4	ACTIVE	SOT-23	DBV	5	3000	Green (RoHS & no Sb/Br)	CU NIPDAU	Level-1-260C-UNLIM
LP2981-30DBVT	ACTIVE	SOT-23	DBV	5	250	Green (RoHS & no Sb/Br)	CU NIPDAU	Level-1-260C-UNLIM
LP2981-30DBVTE4	ACTIVE	SOT-23	DBV	5	250	Green (RoHS & no Sb/Br)	CU NIPDAU	Level-1-260C-UNLIM
LP2981-33DBVR	ACTIVE	SOT-23	DBV	5	3000	Green (RoHS & no Sb/Br)	CU NIPDAU	Level-1-260C-UNLIM
LP2981-33DBVRE4	ACTIVE	SOT-23	DBV	5	3000	Green (RoHS & no Sb/Br)	CU NIPDAU	Level-1-260C-UNLIM
LP2981-33DBVT	ACTIVE	SOT-23	DBV	5	250	Green (RoHS & no Sb/Br)	CU NIPDAU	Level-1-260C-UNLIM
LP2981-33DBVTE4	ACTIVE	SOT-23	DBV	5	250	Green (RoHS & no Sb/Br)	CU NIPDAU	Level-1-260C-UNLIM
LP2981A-28DBVR	ACTIVE	SOT-23	DBV	5	3000	Green (RoHS & no Sb/Br)	CU NIPDAU	Level-1-260C-UNLIM
LP2981A-28DBVRE4	ACTIVE	SOT-23	DBV	5	3000	Green (RoHS & no Sb/Br)	CU NIPDAU	Level-1-260C-UNLIM
LP2981A-28DBVT	ACTIVE	SOT-23	DBV	5	250	Green (RoHS & no Sb/Br)	CU NIPDAU	Level-1-260C-UNLIM
LP2981A-28DBVTE4	ACTIVE	SOT-23	DBV	5	250	Green (RoHS & no Sb/Br)	CU NIPDAU	Level-1-260C-UNLIM
LP2981A-30DBVR	ACTIVE	SOT-23	DBV	5	3000	Green (RoHS & no Sb/Br)	CU NIPDAU	Level-1-260C-UNLIM
LP2981A-30DBVRE4	ACTIVE	SOT-23	DBV	5	3000	Green (RoHS & no Sb/Br)	CU NIPDAU	Level-1-260C-UNLIM
LP2981A-30DBVT	ACTIVE	SOT-23	DBV	5	250	Green (RoHS & no Sb/Br)	CU NIPDAU	Level-1-260C-UNLIM
LP2981A-30DBVTE4	ACTIVE	SOT-23	DBV	5	250	Green (RoHS & no Sb/Br)	CU NIPDAU	Level-1-260C-UNLIM
LP2981A-33DBVR	ACTIVE	SOT-23	DBV	5	3000	Green (RoHS & no Sb/Br)	CU NIPDAU	Level-1-260C-UNLIM
LP2981A-33DBVRE4	ACTIVE	SOT-23	DBV	5	3000	Green (RoHS & no Sb/Br)	CU NIPDAU	Level-1-260C-UNLIM
LP2981A-33DBVT	ACTIVE	SOT-23	DBV	5	250	Green (RoHS & no Sb/Br)	CU NIPDAU	Level-1-260C-UNLIM
LP2981A-33DBVTE4	ACTIVE	SOT-23	DBV	5	250	Green (RoHS & no Sb/Br)	CU NIPDAU	Level-1-260C-UNLIM

<sup>(1)</sup> The marketing status values are defined as follows:

---

**ACTIVE:** Product device recommended for new designs.

**LIFEBUY:** TI has announced that the device will be discontinued, and a lifetime-buy period is in effect.

**NRND:** Not recommended for new designs. Device is in production to support existing customers, but TI does not recommend using this part in a new design.

**PREVIEW:** Device has been announced but is not in production. Samples may or may not be available.

**OBSOLETE:** TI has discontinued the production of the device.

(2) Eco Plan - The planned eco-friendly classification: Pb-Free (RoHS) or Green (RoHS & no Sb/Br) - please check <http://www.ti.com/productcontent> for the latest availability information and additional product content details.

**TBD:** The Pb-Free/Green conversion plan has not been defined.

**Pb-Free (RoHS):** TI's terms "Lead-Free" or "Pb-Free" mean semiconductor products that are compatible with the current RoHS requirements for all 6 substances, including the requirement that lead not exceed 0.1% by weight in homogeneous materials. Where designed to be soldered at high temperatures, TI Pb-Free products are suitable for use in specified lead-free processes.

**Green (RoHS & no Sb/Br):** TI defines "Green" to mean Pb-Free (RoHS compatible), and free of Bromine (Br) and Antimony (Sb) based flame retardants (Br or Sb do not exceed 0.1% by weight in homogeneous material)

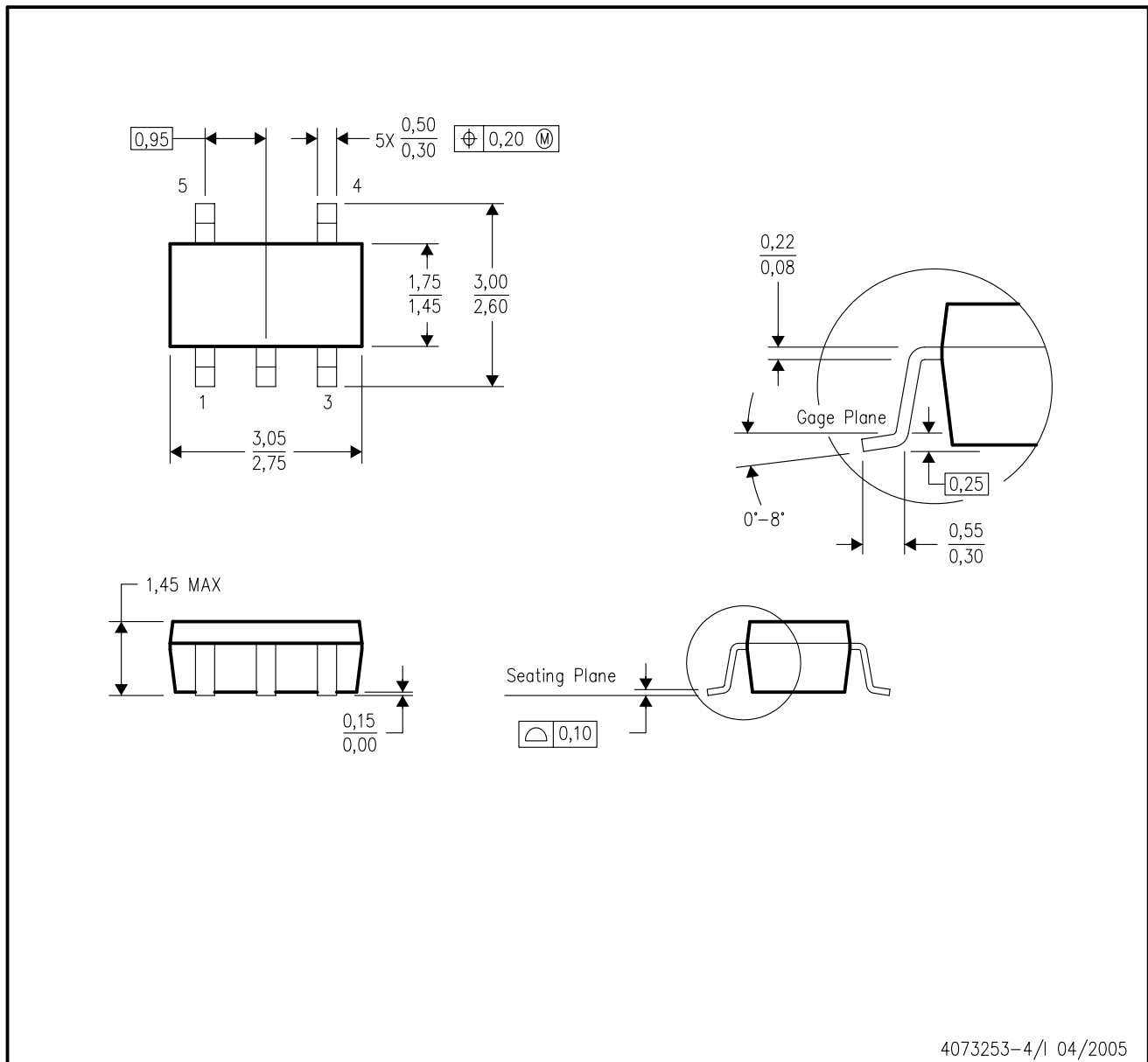
(3) MSL, Peak Temp. -- The Moisture Sensitivity Level rating according to the JEDEC industry standard classifications, and peak solder temperature.

**Important Information and Disclaimer:**The information provided on this page represents TI's knowledge and belief as of the date that it is provided. TI bases its knowledge and belief on information provided by third parties, and makes no representation or warranty as to the accuracy of such information. Efforts are underway to better integrate information from third parties. TI has taken and continues to take reasonable steps to provide representative and accurate information but may not have conducted destructive testing or chemical analysis on incoming materials and chemicals. TI and TI suppliers consider certain information to be proprietary, and thus CAS numbers and other limited information may not be available for release.

In no event shall TI's liability arising out of such information exceed the total purchase price of the TI part(s) at issue in this document sold by TI to Customer on an annual basis.

DBV (R-PDSO-G5)

PLASTIC SMALL-OUTLINE PACKAGE



- NOTES:
- A. All linear dimensions are in millimeters.
  - B. This drawing is subject to change without notice.
  - C. Body dimensions do not include mold flash or protrusion.
  - D. Falls within JEDEC MO-178 Variation AA.

## IMPORTANT NOTICE

Texas Instruments Incorporated and its subsidiaries (TI) reserve the right to make corrections, modifications, enhancements, improvements, and other changes to its products and services at any time and to discontinue any product or service without notice. Customers should obtain the latest relevant information before placing orders and should verify that such information is current and complete. All products are sold subject to TI's terms and conditions of sale supplied at the time of order acknowledgment.

TI warrants performance of its hardware products to the specifications applicable at the time of sale in accordance with TI's standard warranty. Testing and other quality control techniques are used to the extent TI deems necessary to support this warranty. Except where mandated by government requirements, testing of all parameters of each product is not necessarily performed.

TI assumes no liability for applications assistance or customer product design. Customers are responsible for their products and applications using TI components. To minimize the risks associated with customer products and applications, customers should provide adequate design and operating safeguards.

TI does not warrant or represent that any license, either express or implied, is granted under any TI patent right, copyright, mask work right, or other TI intellectual property right relating to any combination, machine, or process in which TI products or services are used. Information published by TI regarding third-party products or services does not constitute a license from TI to use such products or services or a warranty or endorsement thereof. Use of such information may require a license from a third party under the patents or other intellectual property of the third party, or a license from TI under the patents or other intellectual property of TI.

Reproduction of information in TI data books or data sheets is permissible only if reproduction is without alteration and is accompanied by all associated warranties, conditions, limitations, and notices. Reproduction of this information with alteration is an unfair and deceptive business practice. TI is not responsible or liable for such altered documentation.

Resale of TI products or services with statements different from or beyond the parameters stated by TI for that product or service voids all express and any implied warranties for the associated TI product or service and is an unfair and deceptive business practice. TI is not responsible or liable for any such statements.

Following are URLs where you can obtain information on other Texas Instruments products and application solutions:

<b>Products</b>		<b>Applications</b>	
Amplifiers	<a href="http://amplifier.ti.com">amplifier.ti.com</a>	Audio	<a href="http://www.ti.com/audio">www.ti.com/audio</a>
Data Converters	<a href="http://dataconverter.ti.com">dataconverter.ti.com</a>	Automotive	<a href="http://www.ti.com/automotive">www.ti.com/automotive</a>
DSP	<a href="http://dsp.ti.com">dsp.ti.com</a>	Broadband	<a href="http://www.ti.com/broadband">www.ti.com/broadband</a>
Interface	<a href="http://interface.ti.com">interface.ti.com</a>	Digital Control	<a href="http://www.ti.com/digitalcontrol">www.ti.com/digitalcontrol</a>
Logic	<a href="http://logic.ti.com">logic.ti.com</a>	Military	<a href="http://www.ti.com/military">www.ti.com/military</a>
Power Mgmt	<a href="http://power.ti.com">power.ti.com</a>	Optical Networking	<a href="http://www.ti.com/opticalnetwork">www.ti.com/opticalnetwork</a>
Microcontrollers	<a href="http://microcontroller.ti.com">microcontroller.ti.com</a>	Security	<a href="http://www.ti.com/security">www.ti.com/security</a>
		Telephony	<a href="http://www.ti.com/telephony">www.ti.com/telephony</a>
		Video & Imaging	<a href="http://www.ti.com/video">www.ti.com/video</a>
		Wireless	<a href="http://www.ti.com/wireless">www.ti.com/wireless</a>

Mailing Address: Texas Instruments  
Post Office Box 655303 Dallas, Texas 75265